



108 Fairgrounds Drive • Suite 8
Manlius, NY 13104
Phone: 315-682-6707
Fax: 315-682-6758
www.agmsigns.com

D-Lux Owner's Manual

for signs with
LED Board, Low Voltage Controller, Style 2, 3 & 5





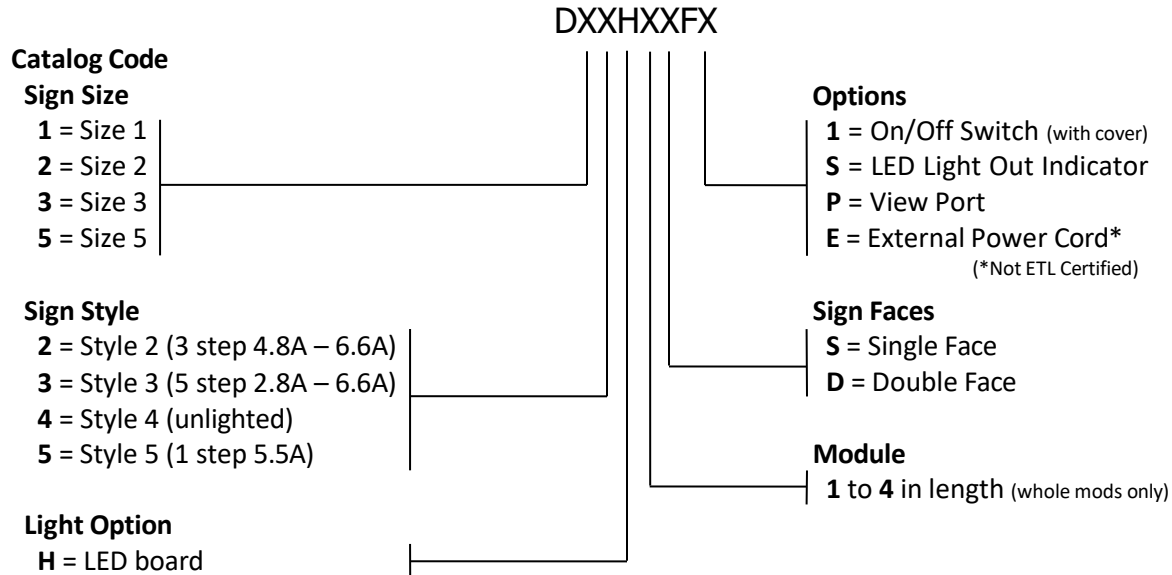
108 Fairgrounds Drive • Suite 8
Manlius, NY 13104
Phone: 315-682-6707
Fax: 315-682-6758
www.agmsigns.com

Table of Contents:

Section	Page
1 Item Numbers	3
2 General Information	3
3 Warranty	3
4 Handling	4
5 Storage	4
6 Installation	5
7 Maintenance	5
8 LED Board Troubleshooting & Parts List	6
9 Transformer Requirements, VA Loads & Power	11
10 Pad Mounting Guide	12



1. D-Lux Sign Item Numbers



All signs are Class 2.

2. D-Lux Sign General Information

All AGM signs are tested at the factory and set to function within applicable specifications. Installation and operation issues most frequently trace back to an undersized isolation transformer or to damage during shipping. Before commencing repairs, please contact AGM (315-682-6707 or via email) with the catalog number and serial number from the name plate of the malfunctioning sign to determine warranty coverage.

If following the troubleshooting guidelines below does not resolve any operational issues, we are pleased to assist you via telephone or email. We keep parts in stock, and ship within 24 hours.

Power factors, as illustrated on pages 20 to 22, are measured on the primary of the corresponding L830 transformer, per FAA Circular 150/5345-44(current edition). This takes into account the inherent deficiencies of the isolation transformer in the values. These ratings are subject to change without notice.

Consider upgrading your T10 & TapSwitch signs to energy efficient LED board signs. AGM has retrofit kits for just that purpose – no need to purchase a whole new sign. Please contact AGM to learn more about the possibilities. Additional information is available on our website: www.agmsigns.com.



3. D-Lux Sign Warranty

AGM L858 Airfield Guidance Signs are warranted against mechanical and physical defects in design or manufacture for a period of 2 years from date of installation per FAA AC 150/5345-44(applicable edition). Where applicable, per FAA EB67(applicable edition), AGM L858(L) Airfield Guidance Signs are warranted against electrical defects in design or manufacture of the LED or LED specific circuitry for a period of 4 years. AGM will correct such by repair or replacement, at its option, provided the signs have been properly handled and stored prior to installation, properly installed and operated after installation, and provided further that the buyer has notified AGM in writing within the warranty period and a reasonable time after notice of such defects. Refer to handling, storage, installation and operational instructions for proper procedural guidance that must be followed to maintain warranty provisions.

This warranty is in effect for the specified term as long as the equipment has not been, in AGM's judgment: altered in such a way as to affect the equipment adversely; subjected to accident, negligence, and/or improper storage; and has been operated and maintained in accordance with accepted FAA guidelines as described in AC 150/5340-26(applicable edition) and AGM's published operational guidelines.

AGM reserves the right to examine signs on which a claim has been made. Equipment must be presented in the same condition as when the defect was discovered. AGM also reserves the right to require the return of equipment to establish any claim.

Disclaimer

AGM's obligation under this warranty is limited to repair or replacement of defective equipment sold by AGM. This does not include any other costs such as the cost of removal, shipping, or installation of the defective part or repaired product, including labor or any consequential damages of any kind. AGM shall not be liable for any indirect or consequential damages.

Under no circumstances will AGM's liability exceed its sales price of the signs claimed to be defective. All transportation costs under this warranty are the responsibility of the buyer. Replacement parts and/or equipment provided under this warranty are covered under the same terms until the expiration of the original warranty period that began upon the first installation of the equipment.

This is AGM's sole and exclusive warranty with respect to the equipment sold to the buyer. There are no express or implied warranties of fitness for any particular purpose or any implied warranties other than those made expressly herein.

AGM shall not be liable to the buyer of this product or third parties for indirect or consequential damages, or for damages arising from the use of any options or parts other than those designated by AGM as approved products. Damage caused by lightning, flood and other natural or man-made causes are outside the scope of this warranty.

4. D-Lux Sign Handling

AGM D-Lux signs are shipped in a corrugated wrapping to protect against abrasion during shipping. The packaged signs are meant to be hand carried (sling straps are effective) or placed on dolly carts. The packaged sign is NOT designed to be handled by forklifts.



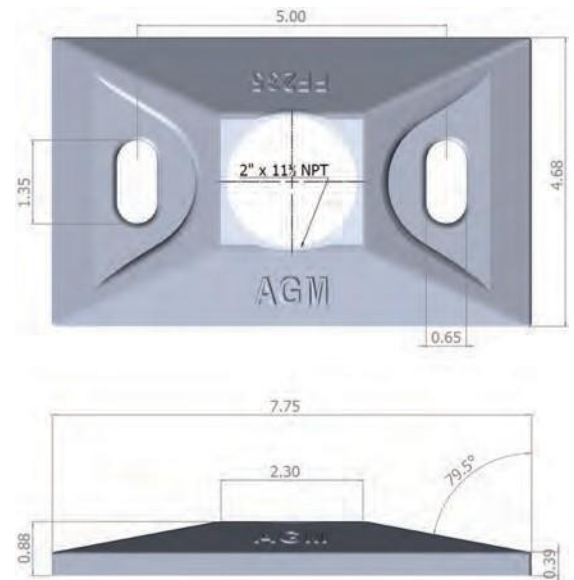
Make sure to note any damage that occurred during shipping when receiving the signs and be sure to document it with the carrier. When installing the sign make sure that the correct L830 isolation transformer is connected. When accessing the sign cabinet, use only hand tools to tighten the bolts.

5. D-Lux Sign Storage

If the signs are to be stored before installation, keep them in the original corrugated wrapping for protection and store them upright in a dry location. If the corrugated wrapping becomes wet, it should be removed and recycled because it can cause damage as a result of aggravated humidity. If the corrugated wrapping is removed, keep the protective plastic on the legend panels until installation. This provides the last layer of protection in the absence of the corrugated wrapping. Damage resulting from improper storage is not covered by warranty.

6. D-Lux Sign Installation

1. Place sign on the pad with long dimension of the floor flanges perpendicular to the length of the sign.
2. Mark anchor bolt locations.
3. Move the sign out of the way.
4. Drill mounting holes for anchor bolts.
5. Install L-830 transformer into the base can.
 - Check the name plate on the side of the sign to ensure correct wattage is used.
6. Secure cable clamp to transformer secondary lead or secondary extension cord.
7. Reposition the sign on the pad and hold at an angle.
8. Pull power cord out of sign leg and plug it into the transformer secondary lead or extension cord.
9. Rotate the sign to the upright position over the anchor holes being careful to not pinch the power cord.
10. Insert the anchor bolts and loosely clamp the floor flanges to the pad.
11. Loosen the pinch bolts in the slip flanges.
12. Tighten the anchor bolts on the floor flanges.
13. Tighten the pinch bolts in the slip flanges against the couplings.
14. Remove the protective plastic on the panels, being careful not to create foreign object debris (FOD).
15. When work is done on the circuit, verify sign operation between dusk and dawn.



Floor Flange Dimensions

7. D-Lux Sign Maintenance

AGM signs are designed to provide years of trouble-free service. Prior to the performance of any work on the signs, power should be disconnected at the vault. We recommend an annual inspection and cleaning of the sign interior to maintain bright and even light output. Inspection of



the signs should also include regular removal of any excess dirt, snow, and avian excrement from the sign exterior to maintain proper visibility of the sign legend.

8a. D-Lux LED Board Operation

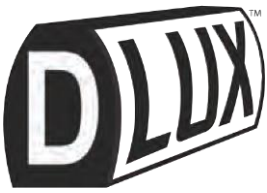
AGM's LED board light engine uses high efficiency LEDs to illuminate the guidance sign. Once the circuit is energized, there is a 4 second delay before the light engine turns on; this is normal. If there is an interruption in power, there could be another identical delay indicating the startup sequence has cycled. There are 2 high brightness LEDs on each board. Per FAA Engineering Brief #67, if more than 25% of the alternate lighting devices (LEDs) are not lit, the LED board must discontinue operation and communicate its condition within the sign, causing the whole sign to turn off. The FAA requires this to make sure an incorrect message is not displayed that could cause a safety issue to traffic on the airfield. Each LED board has a monitor circuit to verify operation. The LED board that has detected the problem will illuminate a red LED on the board indicating it has a problem and should be replaced.

8b. D-Lux LED Board Troubleshooting

All AGM signs are tested at the factory and set to function within applicable specifications. Installation and operation issues most frequently trace to an undersized isolation transformer or to damage during shipping. Before commencing repairs, please contact AGM (315-682-6707 or via email) with the catalog number and serial number from the name plate of the malfunctioning sign to determine warranty coverage. If the LED boards and isolation transformer appear functional, and any operating issues have not been resolved after following the troubleshooting guidelines, please contact AGM; we will be pleased to assist you. We keep parts in stock and ship within 24 hours.

BEFORE PERFORMING MAINTENANCE ON AN AIRFIELD GUIDANCE SIGN, VERIFY THE SIGN'S CIRCUIT IS OFF AND LOCKED OUT FROM ACCIDENTAL ENERGIZATION.

1. Verify that the amp reading (taken on one of the sign input power cords) reflects the amperage of the airfield circuit. If the reading is not identical, then there could be a problem with the isolation transformer or regulator providing power to the sign. Lock out the circuit and verify the condition of the isolation transformer for the sign.
2. Ensure that power to the sign has been turned off. To inspect the operation and determine why a D-Lux sign has malfunctioned, open the top by removing the thumb screw on either side of each modular section of the top of the sign. Remove one legend panel by pulling directly up.
3. Inspect the LED boards that are mounted on the mounting brackets. Cycle the power to the sign remotely or by using the optional isolating safety switch on the sign. If there is a fault with an individual LED board, all the LEDs should light up and then shut down within a second. The malfunctioning LED board will have an illuminated red LED directly on the circuit board as an indication that it or the driver circuit has malfunctioned.
 - a. To isolate the malfunction, remove the end loop plug from the end of the LED circuit where the red light was observed. Disconnect that string of LED boards from the driver and insert the end loop plug in its place on the driver. Cycle the power again and observe whether all remaining lights in the sign illuminate normally.



- i. If all the lights remain on normally, there is a problem with a LED board on the string that was disconnected. Power off the sign, replace the bracket with the malfunctioning LED board, return the end loop to the OUT plug, and connect the LED bracket circuit to the driver again. Power on the sign, verify normal operation, and take the affected bracket back to the shop to isolate the indicated LED board for replacement. Instructions for replacing the LED board are on the following page.
 - ii. If all the lights go out again and the red light appears on the remaining string plugged into the driver, then the driver needs to be checked. Power off the sign, unplug the power cable that runs from the power control module (PCM) to that driver, cycle the power to the sign, and confirm the other lights and driver circuits in the sign remain lit. If so, the disconnected driver needs to be replaced and the strings of LEDs connected to the new driver to confirm their operation.
- b. If the remaining driver circuits are still not operational on restart, power off the sign, and unplug all the drivers from the PCM. With all driver circuits unplugged, power up the sign and make sure the PCM has both green LEDs. If one or both green LEDs on the PCM are not illuminated, skip the next step below.

IMPORTANT: DO NOT PLUG DRIVER CIRCUITS INTO AN ENERGIZED LVC POWER SUPPLY WHEN TROUBLESHOOTING.

- i. With the sign powered down, plug in the driver circuits individually and power on the sign to confirm their individual operation. If another driver circuit is found to be causing shut down, repeat the previous steps to isolate the cause.
- c. Next, ensure the bridge rectifier is functioning properly by taking a DC voltage reading across the red and black wires exiting the bridge rectifier. With the circuit off and locked out, note the position of where the wires connect on the terminals and then remove them from the connecting posts of the bridge rectifier. The corners with red and black wires are the DC output of the bridge rectifier. The positive red (+) wire is always connected to the terminal that is 90° different in orientation than the others and is located on the small diagonal corner of the bridge rectifier.
- i. Using an RMS multi-meter, set the operation for diode testing and place the black negative lead on the positive terminal of the bridge rectifier, and the red positive lead on the negative terminal of the bridge rectifier in the corner opposite the positive terminal.
 - ii. If the meter reads close to 0.90V_{DC} to 1.00V_{DC} the bridge rectifier is good. If it reads approximately 0.40V_{DC} to 0.60V_{DC} the bridge rectifier is bad and needs to be replaced.
- d. If the bridge rectifier is good, the next step is to check the output of the PCM. There are 2 green LEDs on the PCM near the output connections and if both of these are not illuminated when the sign is powered on and all circuits are disconnected, the PCM needs to be replaced. If both are illuminated, check the output voltage by setting a true RMS meter to DC voltage, and insert the black negative probe where the green wire connects and the red positive probe where the red wire connects. The output voltage should be approximately +50V_{DC}. If there is no voltage here, the PCM needs to be replaced.



108 Fairgrounds Drive • Suite 8
Manlius, NY 13104
Phone: 315-682-6707
Fax: 315-682-6758
www.agmsigns.com

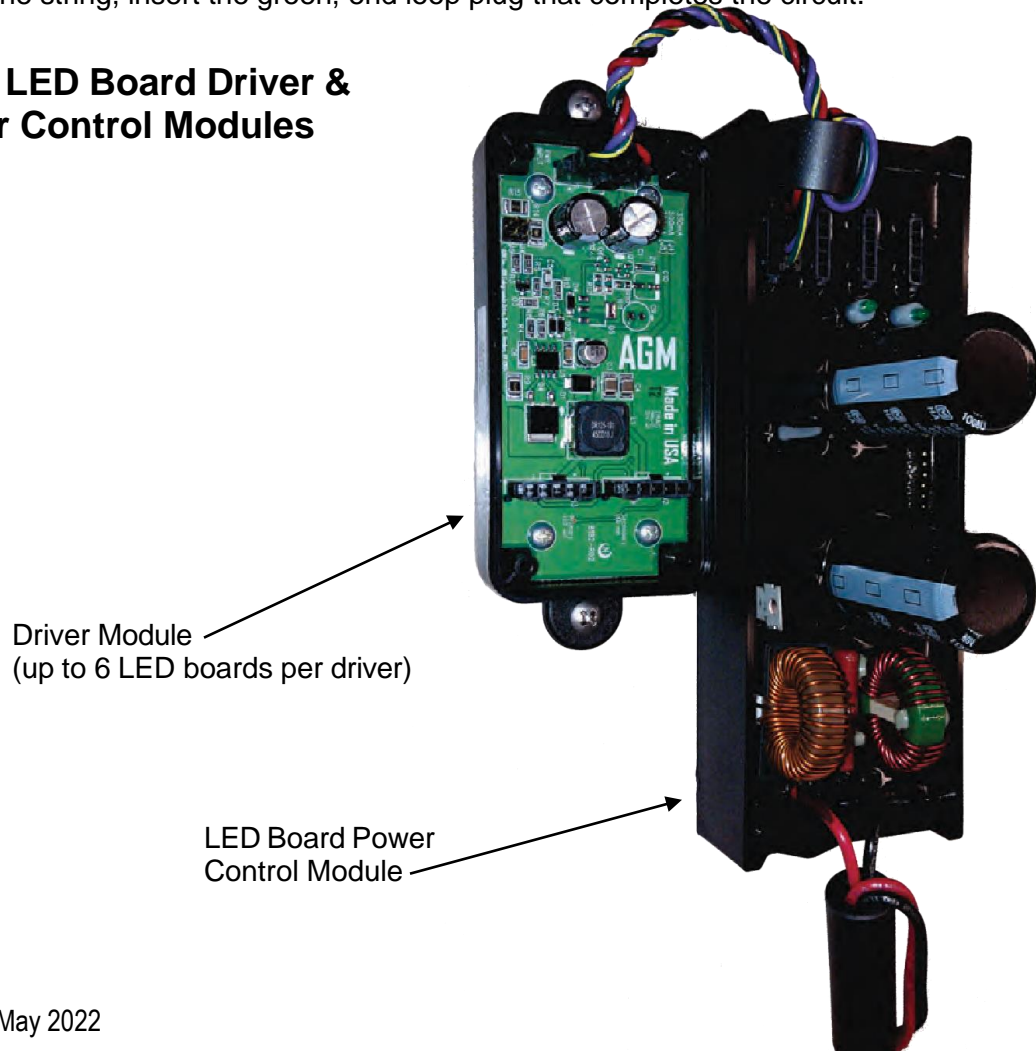
- i. After the PCM is replaced, follow the driver circuit checking procedure from the preceding page. Take note of the green LED lights on the PCM; and if on start up, one of the LEDs is not illuminated, turn off the power promptly and replace the driver of the circuit being checked. Do not run a new PCM with a bad driver as damage to the PCM can occur.

8c. D-Lux LED Board Replacement

Replacement of a nonfunctioning LED board is best accomplished inside the electrical shop, after swapping out mounting brackets. To replace the LED board, carefully remove the black wire harness plugs, press on the release safety catches of the plugs and pull out along the same plane that the LED is mounted on. Remove the mounting clips on either side of the LED board. Then using a sharp blade, slide under the LED board and pry the LED board off of the mounting bracket where the LED board is held with thermal transfer adhesive. Make sure to clean the area of the mounting bracket where the LED board was mounted before attaching a new one.

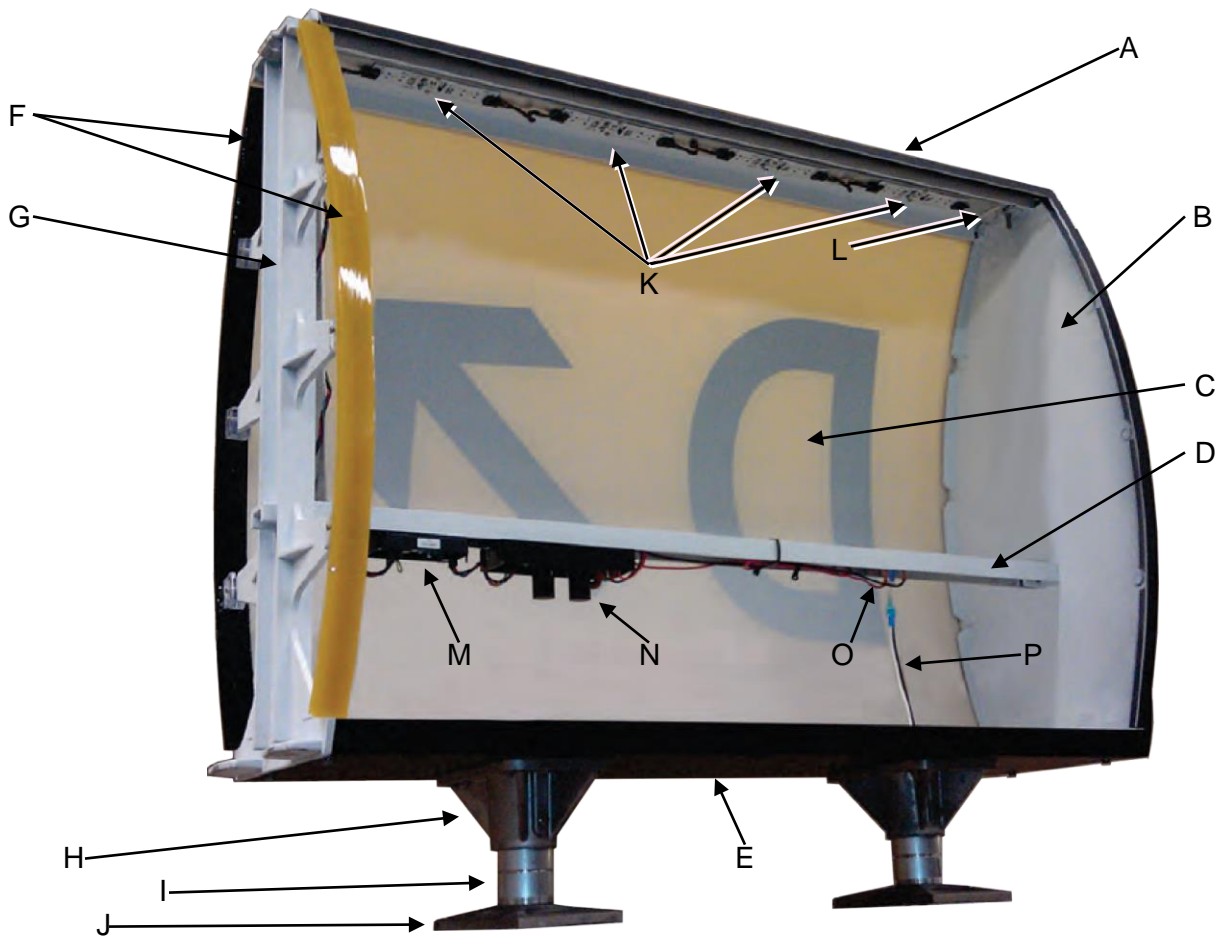
On the replacement LED board, strip the protective cover from the thermal adhesive on the back and carefully place the LED board in the same location as the previous LED board. Make sure to align the IN side and OUT side in the same orientation as the other LED boards on the mounting bracket. Replace the wire harness connections; and if the replacement LED board is at the end of the string, insert the green, end loop plug that completes the circuit.

8d. D-Lux LED Board Driver & Power Control Modules





108 Fairgrounds Drive • Suite 8
 Manlius, NY 13104
 Phone: 315-682-6707
 Fax: 315-682-6758
 www.agmsigns.com



8e. D-Lux LED Board Parts List

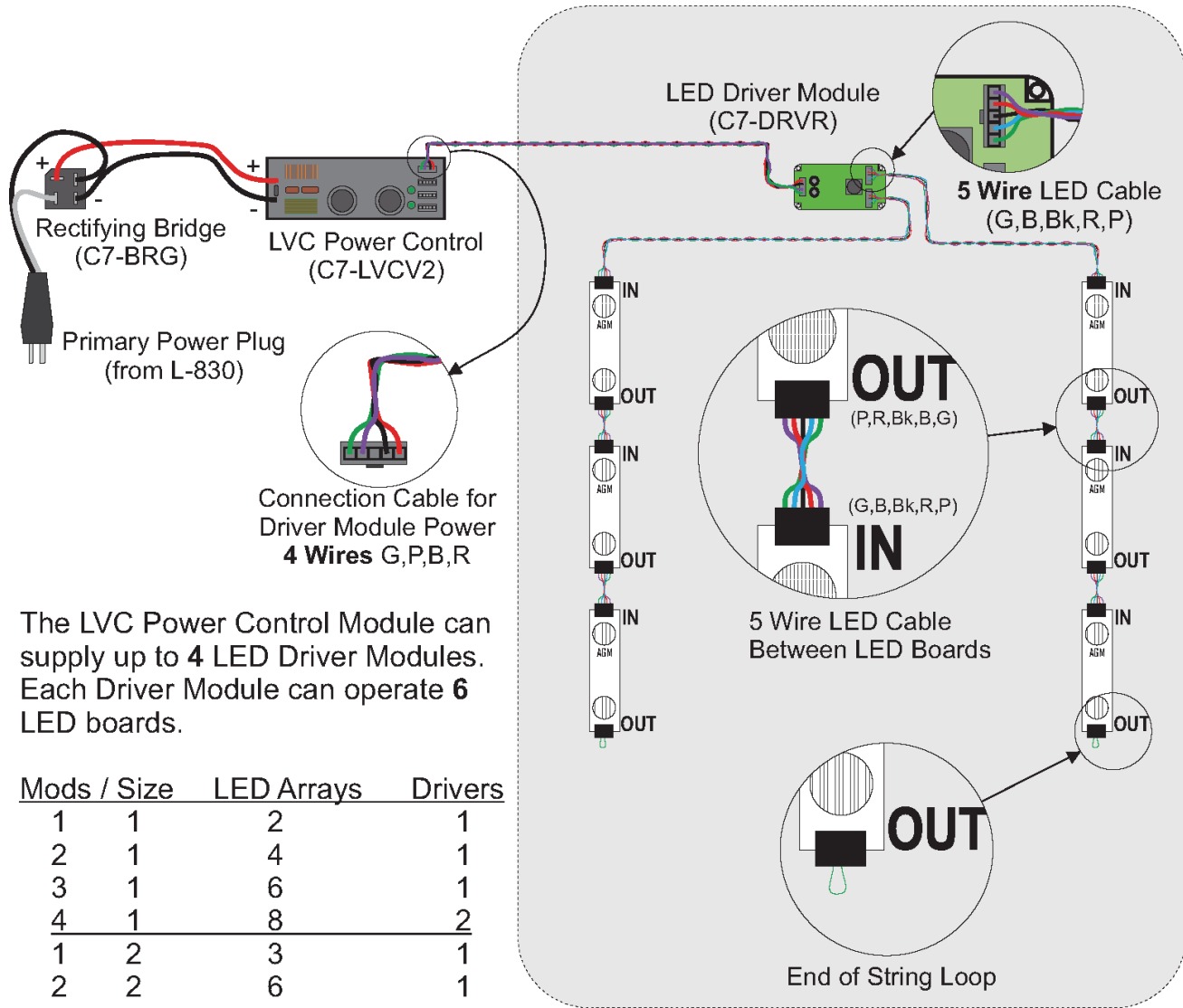
Part #	Description	Part #	Description
A	D6-S#TP	I	D6-DC#
B	D6-S#EC	J	C6-FF235
C	D8-D#4LP	K	C7-LEDV2
D	D6-S#UB	L	D7-LB#
E	D6-S#B	M	C7-DRVR
F	D6-S#R	N	C7-LVCV2
G	D6-S#TC	O	C7-BRG
H	C6-SF6	P	C7-60PC
	D6-DTS		C6-THR
			D9-DNP

When ordering:
 # = sign size;
 * = specify color (black, red, yellow)



108 Fairgrounds Drive • Suite 8
 Manlius, NY 13104
 Phone: 315-682-6707
 Fax: 315-682-6758
 www.agmsigns.com

8f. D-Lux LED Board Wiring Diagram



The LVC Power Control Module can supply up to 4 LED Driver Modules. Each Driver Module can operate 6 LED boards.

Mods / Size	LED Arrays	Drivers
1 1	2	1
2 1	4	1
3 1	6	1
4 1	8	2
1 2	3	1
2 2	6	1
3 2	9	2
4 2	12	2
1 3	4	1
2 3	8	2
3 3	12	2
4 3	16	3
1 5	4	1

**LED Light Engine Assembly
 (D-Lux Size 2, 2Mod pictured,
 [3 LED boards / module])**



9. L830 Requirements, VA Loads, Power Factors for LED Board Light Source

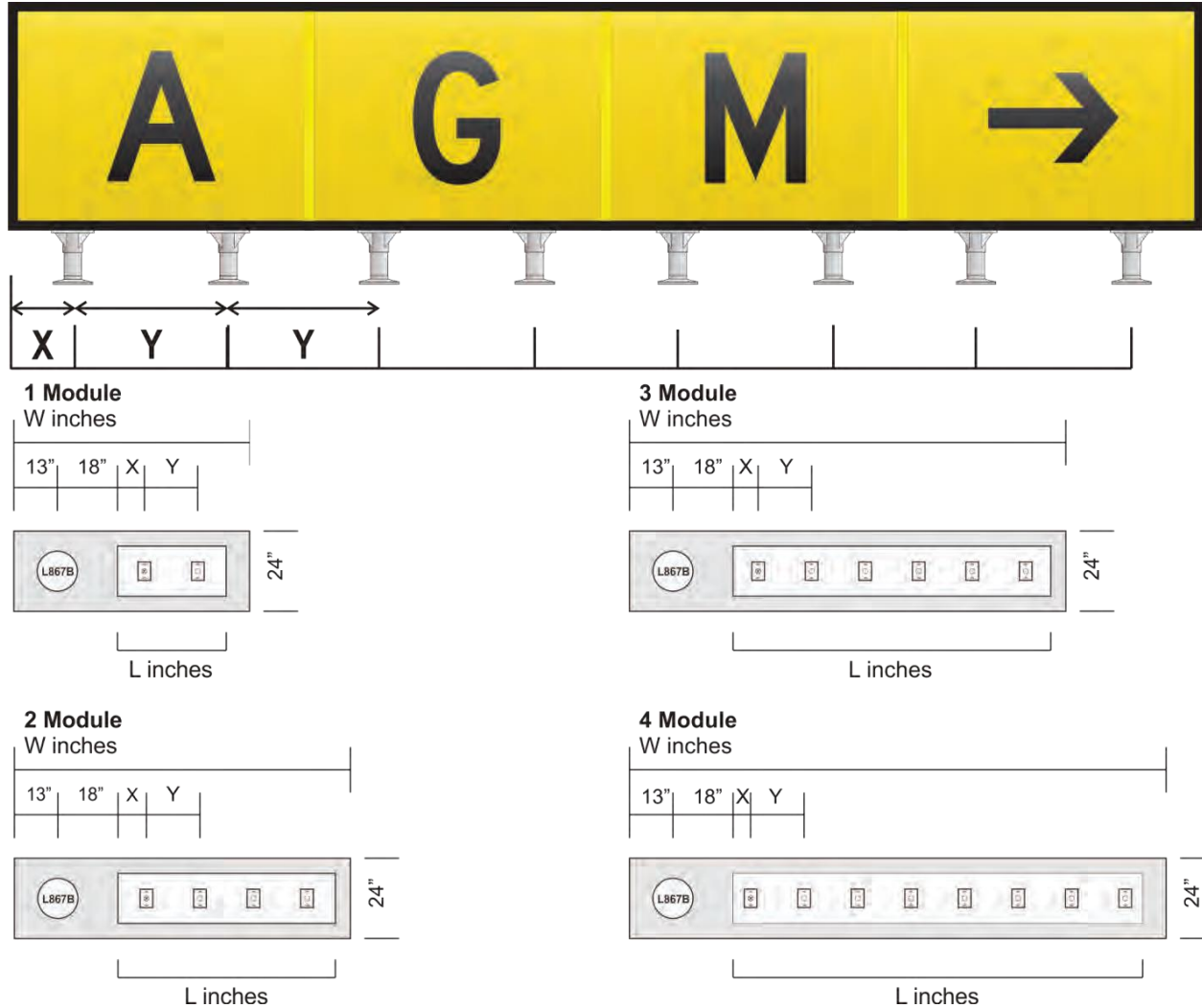
Size	Style	Modules	L830 Transformer	VA*	Power Factor*	# of Lamps
1	2	1.0	65W	43	0.97	2
1	2	2.0	65W	47	0.97	4
1	2	3.0	65W	51	0.96	6
1	2	4.0	65W	57	0.96	8
2	2	1.0	65W	45	0.97	3
2	2	2.0	65W	51	0.96	6
2	2	3.0	65W	59	0.96	9
2	2	4.0	65W	66	0.95	12
3	2	1.0	65W	47	0.97	4
3	2	2.0	65W	57	0.96	8
3	2	3.0	65W	66	0.95	12
3	2	4.0	100W	80	0.93	16
5	2	1.0	65W	47	0.97	4
1	3	1.0	65W	42	0.97	2
1	3	2.0	65W	47	0.97	4
1	3	3.0	65W	51	0.96	6
1	3	4.0	100W	62	0.96	8
2	3	1.0	65W	45	0.97	3
2	3	2.0	65W	51	0.96	6
2	3	3.0	100W	52	0.96	9
2	3	4.0	100W	71	0.96	12
3	3	1.0	65W	47	0.97	4
3	3	2.0	100W	62	0.96	8
3	3	3.0	100W	71	0.96	12
3	3	4.0	200W	76	0.94	16
5	3	1.0	65W	44	0.97	4
1	5	1.0	65W	34	0.97	2
1	5	2.0	65W	38	0.96	4
1	5	3.0	65W	43	0.96	6
1	5	4.0	65W	54	0.94	8
2	5	1.0	65W	37	0.97	3
2	5	2.0	65W	43	0.96	6
2	5	3.0	65W	52	0.95	9
2	5	4.0	65W	59	0.95	12
3	5	1.0	65W	38	0.96	4
3	5	2.0	65W	50	0.96	8
3	5	3.0	65W	59	0.95	12
3	5	4.0	100W	72	0.95	16
5	5	1.0	65W	38	0.96	4

* These ratings are subject to change without notice.

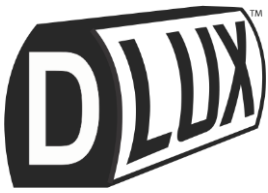


108 Fairgrounds Drive • Suite 8
 Manlius, NY 13104
 Phone: 315-682-6707
 Fax: 315-682-6758
 www.agmsigns.com

10. D-Lux Concrete Pad Mounting Guide



	Leg Spacing	1.0 Module	2.0 Module	3.0 Module	4.0 Module
Size 1	Y = 14 5/8"	W = 70 1/2" L = 30" X = 7 3/4"	W = 100 1/2" L = 59" X = 7 3/4"	W = 130 1/2" L = 88" X = 7 3/4"	W = 160 1/2" L = 117" X = 7 3/4"
Size 2	Y = 18 1/2"	W = 76 1/2" L = 37 1/2" X = 9 1/8"	W = 112 1/2" L = 73 3/4" X = 9 1/8"	W = 148 1/2" L = 110" X = 9 1/8"	W = 184 1/2" L = 146 3/8" X = 9 1/8"
Size 3	Y = 21"	W = 83" L = 41 7/8" X = 10 1/2"	W = 125 1/2" L = 83 3/4" X = 10 1/2"	W = 168" L = 125 5/8" X = 10 1/2"	W = 210 1/2" L = 167 1/2" X = 10 1/2"
Size 5	Y = 21"	W = 83" L = 41 7/8" X = 10 1/2"	W = suggested concrete pad length L = sign length X = distance sign edge to leg center Y = distance between leg centers		



AGM
Airfield Guidance
Manufacturers, Inc.

108 Fairgrounds Drive • Suite 8
Manlius, NY 13104
Phone: 315-682-6707
Fax: 315-682-6758
www.agmsigns.com

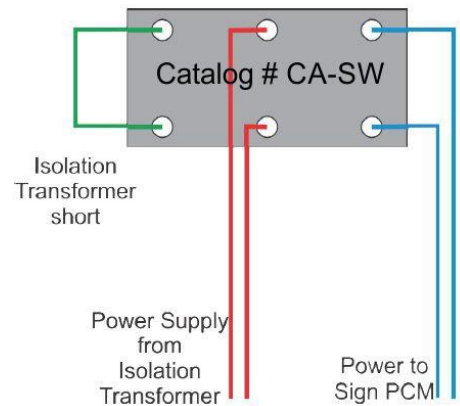
AGM Isolating Safety Switch with Cover

Part Number: D7-SWA

The AGM isolating safety switch allows the guidance sign power control and circuitry to be isolated from the airfield constant current regulator (CCR) circuit, providing a greater measure of safety when performing maintenance. This allows the rest of the airfield circuitry to remain illuminated to maintain necessary communication to pilots. The isolating safety switch is weatherproof with an IP67 rating and also includes a weatherproof cover that provides additional protection against mechanical damage.



The switch is a double pole double throw (DPDT) style switch. Two terminals are for power to the PCM; two terminals are power from the isolation transformer; and two are the short circuit path.



CA-SW



C7-WPC