

AGM

Guiding Aircraft Safely and Efficiently on Runways, Taxiways and Aprons Since 1992

D-LUX Curved Signs are Durable, Reliable and Energy Efficient

Airfield Guidancesign Manufacturers, Inc.

AGM's patented curved signs feature the industry's lowest VA loads, outperforming other signs and setting the standard for cost-effective operation.

AGM continues to lead in the design, development and improvement of airfield sign technology. Lasting much longer than conventional signs, AGM curved signs provide greater value and a significantly lower total cost of ownership.

Application and Environments

AGM's curved signs easily replace traditional signs by fitting on existing concrete pads and using the same constant current regulators.

The D-Lux is ideal for airfields that desire a truly modular sign, to maintain flexibility in configuration or to match a uniform look where rounded signs are already installed.

The rugged construction of the D-Lux Herculens panel can shed jet blast and resist snow and ice accumulation without the flimsy plastic internal bracing or an added "performance top" required by standard rounded signs.

AGM's L-858 signs consume much less power than traditional signs. With crisp, clean light and minimal bloom or ground splash, they are visually acquired more quickly and much easier to read.

Solid, Hand-crafted Construction

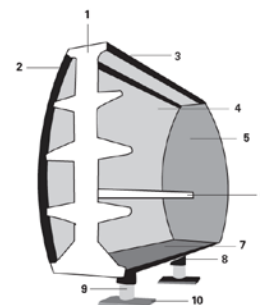
Though similar in appearance, the D-Lux is a high quality upgrade from standard curved signs, with premium American-made end castings, precision-formed ribs and attention to detail that engineers, contractors and airport personnel appreciate. AGM's D-Lux signs are deployed worldwide in the harshest environments.

Each rounded panel is made from precision-formed acrylic and is an exact match to all rounded sign construction. AGM's patented size 3 Herculens panel is made from 3/8" thick acrylic, with a machined edge that permits use in all size 3 rounded signs, even on AIP funded projects.

AGM rounded signs provide remarkable reliability, with fewer lamp replacements than traditional signs. Access to the D-Lux modules for maintenance or changing legends is simplified with AGM's unique tool-free stainless fastener design.



Inventors of the LED L-858 runway sign



Body Components

- 1: Support Junction
- 3: Top
- 5: End
- 6: Lamp Mounting Bar
- 7: Bottom
- 9: Frangible Coupling

Face Components

- 2: Panel Joint
- 4: Panel

Universal Components

- 8: Slip Flange
- 10: Floor Flange

Call 315-682-6707 today for a free price quote or more information.

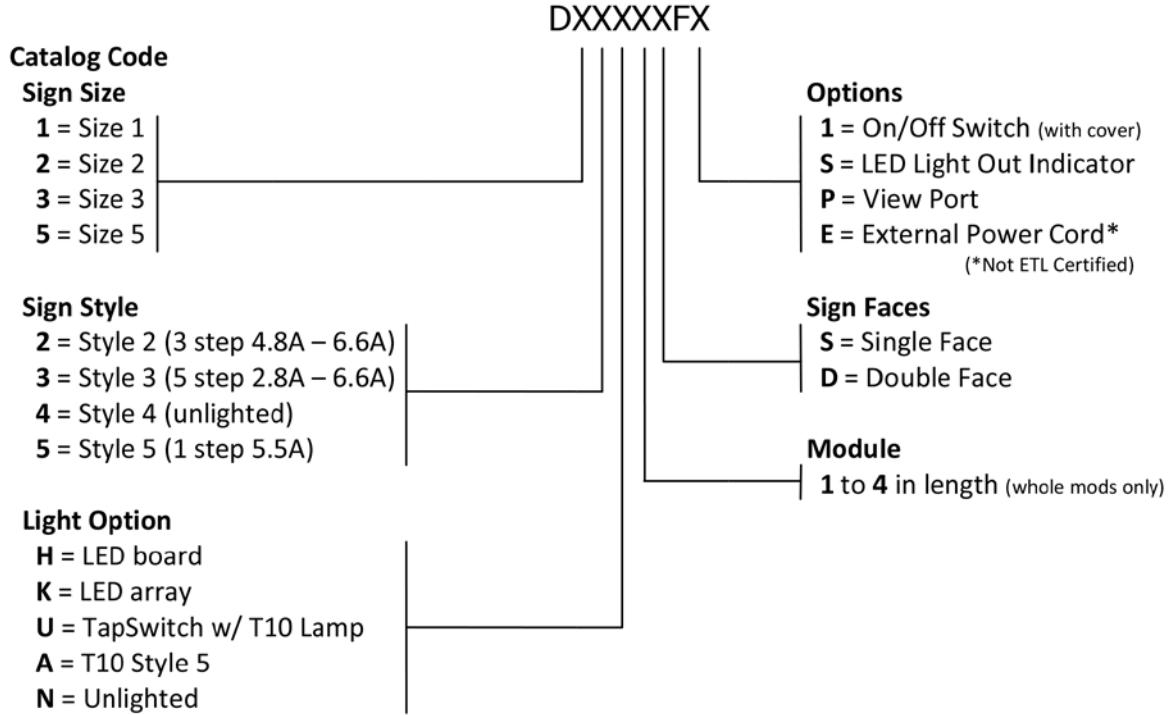
Airfield Guidancesign Manufacturers, Inc. • 108 Fairgrounds Drive • Suite 8 • Manlius, NY 13104

Phone: 315-682-6707 • Fax: 315-682-6758 • www.agmsigns.com



108 Fairgrounds Drive • Suite 8
 Manlius, NY 13104
 Phone: 315-682-6707
 Fax: 315-682-6758
 www.agmsigns.com

1. D-Lux Sign Item Numbers





108 Fairgrounds Drive • Suite 8
Manlius, NY 13104
Phone: 315-682-6707
Fax: 315-682-6758
www.agmsigns.com

12c. L830 Requirements, VA Loads & Power Factors for T10, TapSwitch Light Source

Size	Modules	Style	L830 Transformer	VA*	Power Factor*	# of Lamps
1	1.0	2	100W	73	1.00	1
1	2.0	2	100W	100	1.00	2
1	3.0	2	100W	128	1.00	3
1	4.0	2	200W	155	1.00	4
2	1.0	2	100W	100	1.00	2
2	2.0	2	200W	155	1.00	4
2	3.0	2	300W	210	1.00	6
2	4.0	2	300W	261	1.00	8
3	1.0	2	100W	128	1.00	3
3	2.0	2	300W	210	1.00	6
3	3.0	2	300W	273	1.00	9
3	4.0	2	500W	368	1.00	12
1	1.0	3	100W	73	1.00	1
1	2.0	3	200W	102	1.00	2
1	3.0	3	300W	129	1.00	3
1	4.0	3	300W	157	1.00	4
2	1.0	3	200W	102	1.00	2
2	2.0	3	300W	157	1.00	4
2	3.0	3	500W	210	1.00	6
2	4.0	3	600W	293	1.00	8
3	1.0	3	300W	129	1.00	3
3	2.0	3	500W	210	1.00	6
3	3.0	3	600W ¹	312	1.00	9
3	4.0	3	800W ¹	390	1.00	12

12d. L830 Requirements, VA Loads & Power Factors for T10, Style 5 Light Source

Size	Style	Modules	L830 Transformer	VA*	Power Factor*	# of Lamps
1	5	1.0	45W	48	1.0	1
1	5	2.0	100W	81	1.0	2
1	5	3.0	100W	102	1.0	3
1	5	4.0	200W	134	1.0	4
2	5	1.0	100W	81	1.0	2
2	5	2.0	200W	134	1.0	4
2	5	3.0	200W	180	1.0	6
2	5	4.0	300W	234	1.0	8
3	5	1.0	100W	102	1.0	3
3	5	2.0	200W	180	1.0	6
3	5	3.0	300W	259	1.0	9
3	5	4.0	500W	335	1.0	12

* These ratings are subject to change without notice.

¹ Use Y connector to add wattages of two L830s to achieve correct power